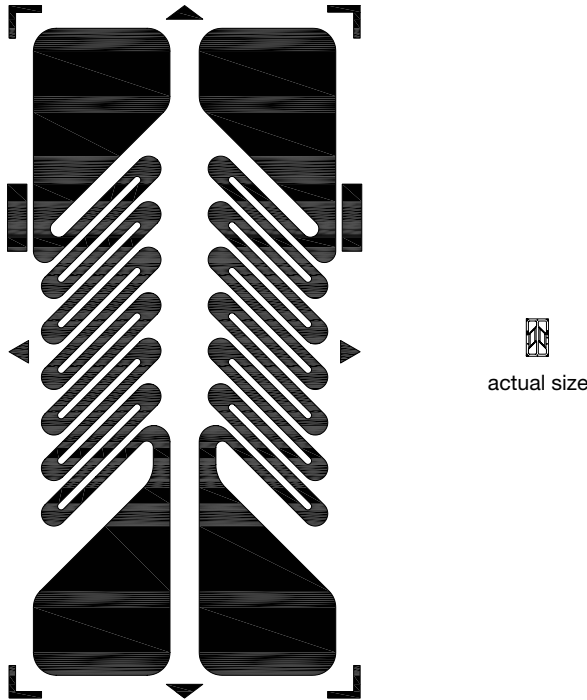
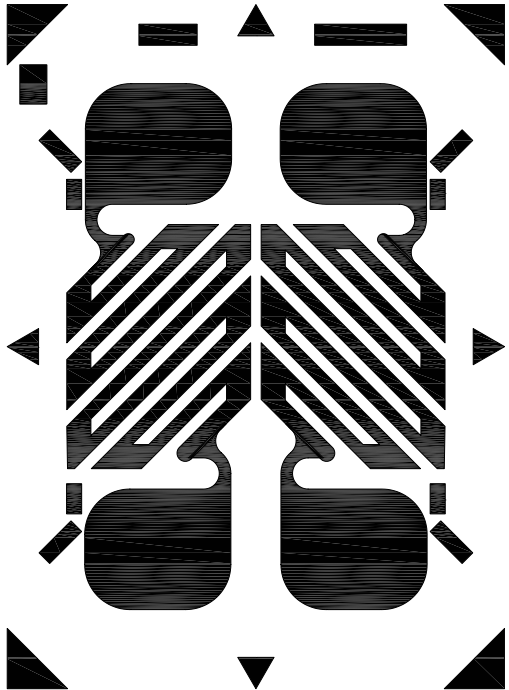



S5136, 5130, AND S5064 GAGE PATTERN DATA

 <p>actual size</p>	GAGE DESIGNATION	RESISTANCE IN OHMS	STD. CREEP CODE
	N5K-XX-S5136Q-175/DG/E4	175 ±0.2%	Q*
	N2K-XX-S5136Q-175/DG/E4	175 ±0.2%	Q*
	N5K-XX-S5130Q-350/DG/E4	350 ±0.2%	Q*
	N2K-XX-S5130Q-350/DG/E4	350 ±0.2%	Q*
	N5K-XX-S5064Q-10C/DG/E3	1000 ±0.2%	Q*
	N2K-XX-S5064Q-10C/DG/E3	1000 ±0.2%	Q*
<p>DESCRIPTION</p> <p>Dual-element pattern for shear or torque transducers. RoHS-compliant.</p>			

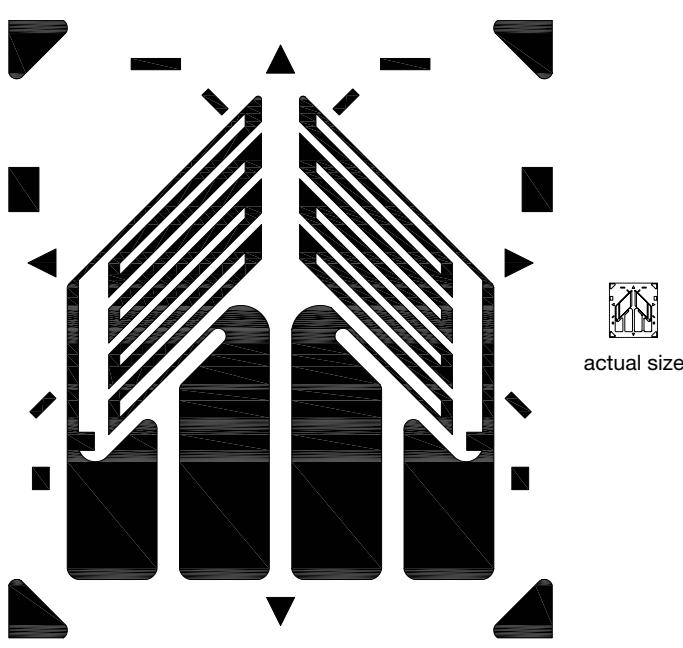
GAGE DIMENSIONS					
					inch
					millimeter
Gage Length	Overall Length	Grid Width	Overall Width	Matrix Length	Matrix Width
0.034	0.173	0.050	0.094	0.19	0.12
0.86	4.39	1.27	2.38	4.9	2.9

* Only creep code available for this gage.
Copper plating for tabs is available.

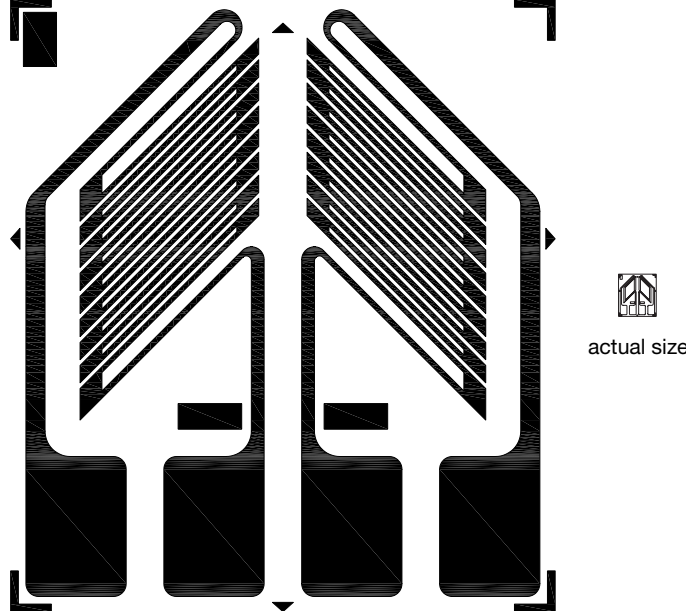
S5135 GAGE PATTERN DATA			
	GAGE DESIGNATION	RESISTANCE IN OHMS	STD. CREEP CODE
	N2A-XX-S5135M-350/E4	350 ±0.2%	M*
 actual size	DESCRIPTION		
Dual-element pattern for shear or torque transducers. RoHS-compliant.			

GAGE DIMENSIONS							
<table border="1"> <tr><td>inch</td></tr> <tr><td>millimeter</td></tr> </table>						inch	millimeter
inch							
millimeter							
Gage Length	Overall Length	Grid Width	Overall Width	Matrix Length	Matrix Width		
0.064	0.175	0.070	0.113	0.23	0.17		
1.61	4.44	1.78	2.87	6.0	4.4		

* Only creep code available for this gage.

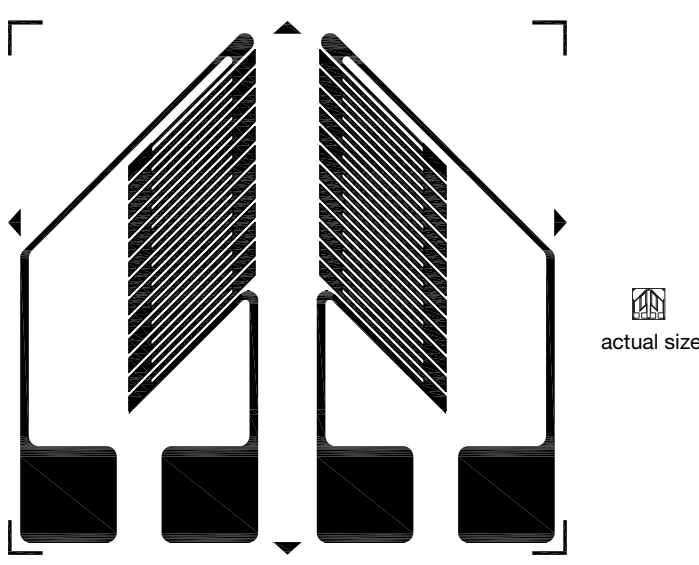
S5095 GAGE PATTERN DATA			
 <p>actual size</p>	GAGE DESIGNATION	RESISTANCE IN OHMS	STD. CREEP CODE
	N2A-XX-S5095N-350/E3	350 ±0.2%	N
<p>DESCRIPTION</p> <p>Dual-element pattern for shear or torque transducers. RoHS-compliant.</p>			

GAGE DIMENSIONS							
<table border="1"> <tr> <td>inch</td> </tr> <tr> <td>millimeter</td> </tr> </table>						inch	millimeter
inch							
millimeter							
Gage Length	Overall Length	Grid Width	Overall Width	Matrix Length	Matrix Width		
0.079	0.215	0.056	0.190	0.28	0.25		
2.00	5.46	1.43	4.83	7.2	6.4		

S5103 GAGE PATTERN DATA			
	GAGE DESIGNATION	RESISTANCE IN OHMS	STD. CREEP CODE
	N2K-XX-S5103R-350/DG/E3 N5K-XX-S5103R-350/DG/E3	350 ±0.2% 350 ±0.2%	Q* Q*
<p>DESCRIPTION</p> <p>Dual-element pattern for shear or torque transducers RoHS-compliant.</p>			

GAGE DIMENSIONS							
<table border="1"> <tr> <td>inch</td> </tr> <tr> <td>millimeter</td> </tr> </table>						inch	millimeter
inch							
millimeter							
Gage Length	Overall Length	Grid Width	Overall Width	Matrix Length	Matrix Width		
0.075	0.231	0.060	0.202	0.25	0.22		
1.91	5.86	1.52	5.13	6.3	5.6		

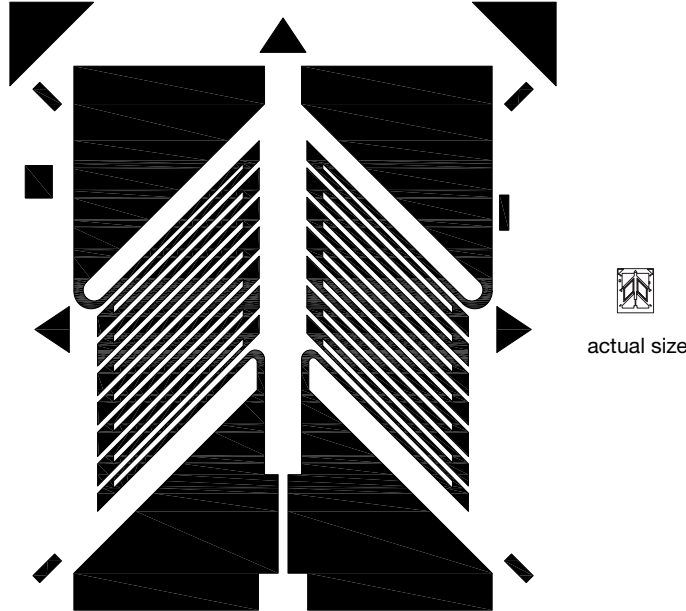
* Only creep code available for this gage.
Copper plating for tabs is available.

S5035 AND S5036 GAGE PATTERN DATA			
	GAGE DESIGNATION	RESISTANCE IN OHMS	STD. CREEP CODE
	N2K-XX-S5035Q-10C/DG/E3	1000 ±0.2%	Q*
	N5K-XX-S5035Q-10C/DG/E3	1000 ±0.2%	Q*
	N2K-XX-S5036Q-50C/DG/E3	5000 ±0.2%	Q*
	N5K-XX-S5036Q-50C/DG/E3	5000 ±0.2%	Q*
<p>DESCRIPTION</p> <p>Dual-element pattern for shear or torque transducers RoHS-compliant.</p>			

GAGE DIMENSIONS							
<table border="1"> <tr> <td>inch</td> </tr> <tr> <td>millimeter</td> </tr> </table>						inch	millimeter
inch							
millimeter							
Gage Length	Overall Length	Grid Width	Overall Width	Matrix Length	Matrix Width		
0.033	0.148	0.051	0.155	0.16	0.17		
0.84	3.76	1.29	3.94	4.1	4.3		

* Only creep code available for this gage.
Copper plating for tabs is available.

S5113, S5116, S5089, S5040 GAGE PATTERN DATA

 <p>actual size</p>	GAGE DESIGNATION	RESISTANCE IN OHMS	STD. CREEP CODE
	N2K-XX-S5113R-350/DG/E3	350 ±0.2%	R
	N5K-XX-S5113R-350/DG/E3	350 ±0.2%	R
	N2K-XX-S5116Q-10C/DG/E3	1000 ±0.2%	Q*
	N5K-XX-S5116Q-10C/DG/E3	1000 ±0.2%	Q*
	N2K-XX-S5089Q-25C/DG/E3	2500 ±0.3%	Q*
	N5K-XX-S5089Q-25C/DG/E3	2500 ±0.3%	Q*
	N2K-XX-S5040Q-50C/DG/E3	5000 ±0.2%	Q*
	N5K-XX-S5040Q-50C/DG/E3	5000 ±0.2%	Q*
<p>DESCRIPTION</p> <p>Dual-element pattern for shear or torque transducers. RoHS-compliant.</p>			

GAGE DIMENSIONS**

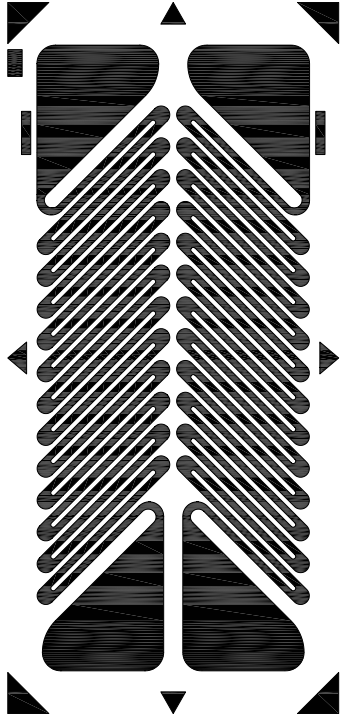
inch
millimeter

Gage Length	Overall Length	Grid Width	Overall Width	Matrix Length	Matrix Width
0.075	0.221	0.060	0.170	0.28	0.23
1.91	5.61	1.52	4.32	7.1	5.8

* Only creep code available for this gage.

** Grid dimensions may differ from pattern to pattern.
Copper plating for tabs is available.

S5147 GAGE PATTERN DATA



GAGE DESIGNATION

**RESISTANCE
IN OHMS**

**STD.
CREEP
CODE**

N2K-XX-S5147P-10C/DG/E4
N5K-XX-S5147P-10C/DG/E4

1000 ±0.2%
1000 ±0.2%

P*
P*

DESCRIPTION

Dual-element pattern for shear or torque transducers.
RoHS-compliant.

GAGE DIMENSIONS

inch
millimeter

Gage Length	Overall Length	Grid Width	Overall Width	Matrix Length	Matrix Width
0.071	0.307	0.130	0.126	0.35	0.17
1.80	7.79	3.30	3.20	9.0	4.3

* Only creep code available for this gage.
Copper plating for tabs is available.